



best in the
LongRun

Side Roller Guide On's Installation Instructions Part #86102

This kit contains the following components:

#	Qty.	Part #	Description
1	2	48067	Roller Guides
2	2	48011	Mounting Plate
3	2	48012	Channel Bracket
4	8	10924	3/8" x 5" Hex Head Bolt
5	8	10627	3/8" Hex Nylock Nut
6	16	10841	3/8" Flat Washer
7	2	17520	Plastic Caps
8	4	10088	Cap Nuts
9	2	17049	9"x2" Side Guide Roller
10	4	17085	2"x2" End Cap Roller
11	2	44614	Roller Shaft

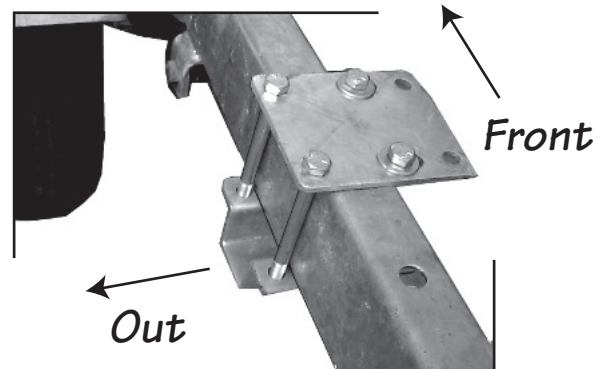
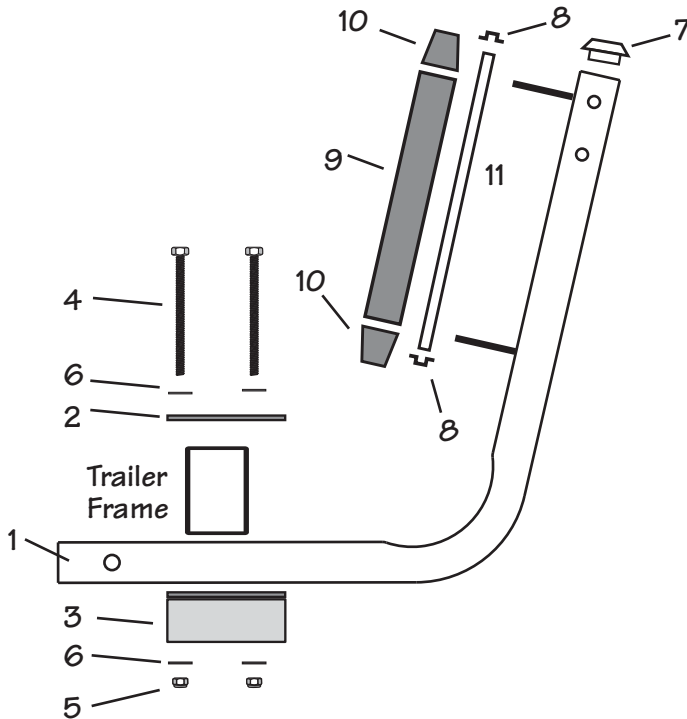


Figure 1

Installing your Boat Guides:

1. Before assembling the mounting hardware as shown in figure 1, decide where you will want the guides placed on your trailer.
2. Using 4 - 3/8"x 5" carriage bolts, 8 flat washers and 4 nyloc nuts, for each, attach the guide support mounts onto your trailer frame, as shown in figure 1. Use the holes that will keep the bolts closest to the frame tube. Finger tighten at this time. Repeat for other side.
3. Slide the guide support tube into the assembly as shown in figure 2.
4. Adjust the guide for proper distance on each side. Tighten support mounts bolts at this time.
5. Insert the caps on the top of the guide tube.

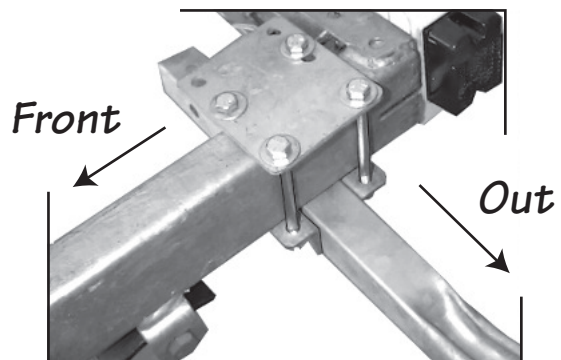


Figure 2

Instruction Sheet #15340

TIE DOWN ENGINEERING • 255 Villanova Drive SW • Atlanta, GA 30336
www.tiedown.com (404) 344-0000 Fax (404) 349-0401



A805;050916