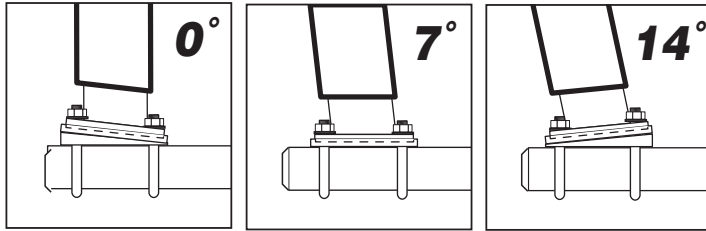




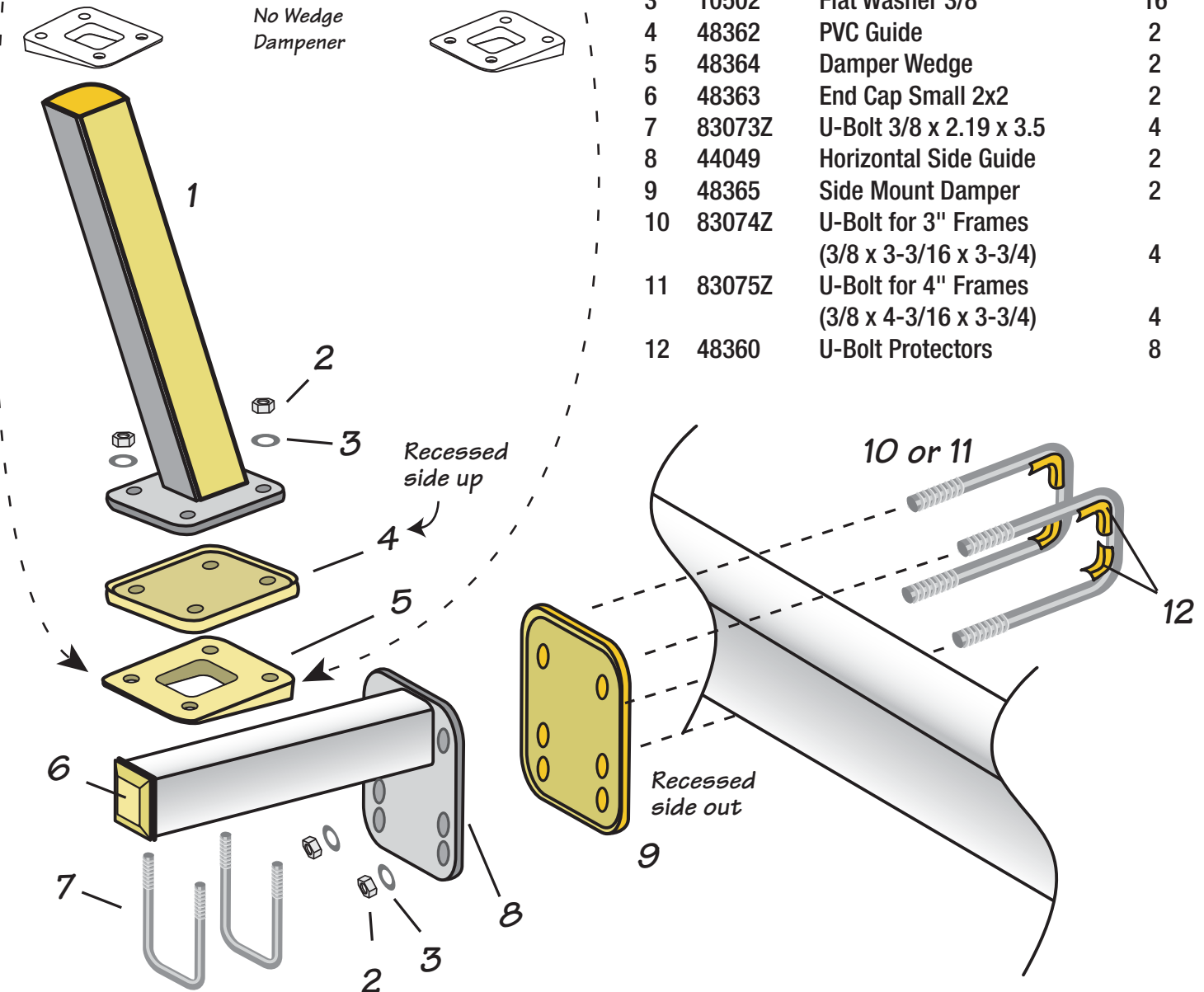
Hull Sav'r

Shock Absorbing Boat Side Guide On's Assembly/Installation Instructions Part #86104



This kit contains the following components:

| # | Part # | Description | Qty |
|----|--------|--|-----|
| 1 | 44023A | Side Guide 22" | 2 |
| 2 | 10627 | Lock Nut 3/8" | 16 |
| 3 | 10502 | Flat Washer 3/8" | 16 |
| 4 | 48362 | PVC Guide | 2 |
| 5 | 48364 | Damper Wedge | 2 |
| 6 | 48363 | End Cap Small 2x2 | 2 |
| 7 | 83073Z | U-Bolt 3/8 x 2.19 x 3.5 | 4 |
| 8 | 44049 | Horizontal Side Guide | 2 |
| 9 | 48365 | Side Mount Damper | 2 |
| 10 | 83074Z | U-Bolt for 3" Frames (3/8 x 3-3/16 x 3-3/4) | 4 |
| 11 | 83075Z | U-Bolt for 4" Frames (3/8 x 4-3/16 x 3-3/4) | 4 |
| 12 | 48360 | U-Bolt Protectors | 8 |



Instruction Sheet #15372

TIE DOWN ENGINEERING • 255 Villanova Drive SW • Atlanta, GA 30336
www.tiedown.com (404) 344-0000 Fax (404) 349-0401



A323; 051016